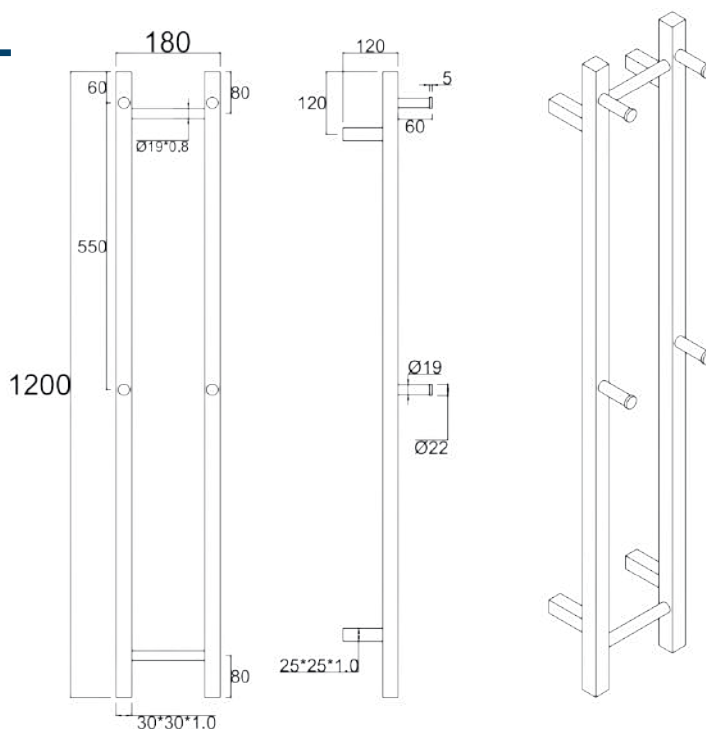


HEATED TOWEL RAIL FEATURES

- Concealed wiring components included
- Hardwired or plugged in
- IP34



CODE	COLOUR	WATT	SIZE (MM)	NO. OF RAILS
V2 SS	Stainless Steel	40	(H)1200 x (W)180 x (D)120	2
V2 BL	Matt Black	40	(H)1200 x (W)180 x (D)120	2
V2 GM	Gun Metal	40	(H)1200 x (W)180 x (D)120	2
V2 GL	Gold	40	(H)1200 x (W)180 x (D)120	2
V2 BN	Brushed Nickel	40	(H)1200 x (W)180 x (D)120	2

FREQUENTLY ASKED QUESTIONS

5 YEARS WARRANTY	3 YEARS COLOUR WARRANTY	304 HIGH-GRADE STAINLESS STEEL	IP34 SAFE FOR USE IN BATHROOMS	240V LOW-VOLTAGE ELEMENT	CONCEALED WIRING LEFT OR RIGHT HAND SIDE
-------------------------------	---	--	---	---------------------------------------	---

Specs are a guideline. We are confident in the manufacturing of our product meeting our specs, However we recommend waiting for the rail before drilling holes in case of 1 or 2 mm differences. Specs can be used for rough in and timber supports without issue.