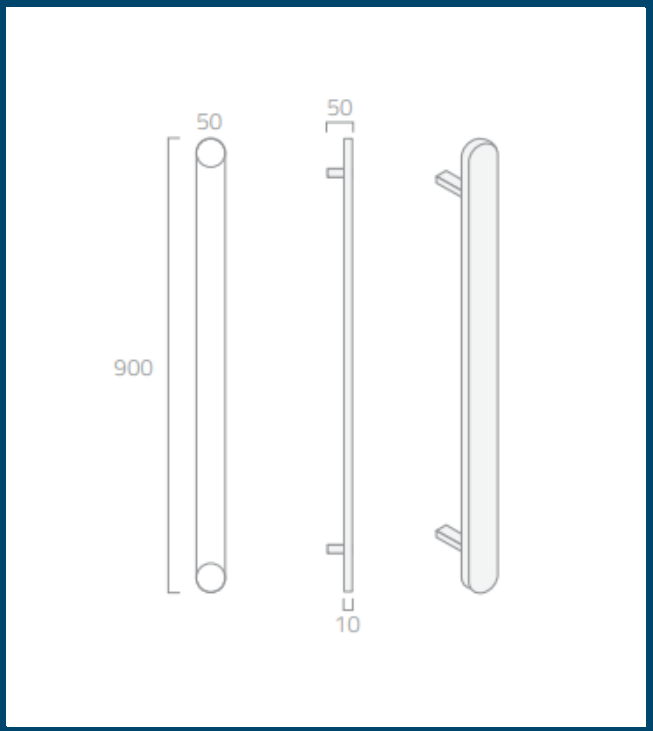




Vertical Slimline Towel Rails

Features

- 12V Vertical Rail
- Distance between fixing holes: 800mm
- Distance from wall to rail face: 50mm
- Can be heated or non-heated
- Concealed bottom wiring



COLOUR	WATT	SIZE (MM)	CODE
Stainless Steel	25	(H)900 x (W)50 x (D)50	FL1 900 SS
Matt Black	25	(H)900 x (W)50 x (D)50	FL1 900 BL
Gun Metal	25	(H)900 x (W)50 x (D)50	FL1 900 GM
Gold	25	(H)900 x (W)50 x (D)50	FL1 900 GL
Brushed Nickel	25	(H)900 x (W)50 x (D)50	FL1 900 BN

FREQUENTLY ASKED QUESTIONS

8 YEARS WARRANTY	3 YEARS COLOUR WARRANTY	304 HIGH-GRADE STAINLESS STEEL	IP55 SAFE FOR USE IN BATHROOMS	12V LOW-VOLTAGE ELEMENT	 CONCEALED WIRING
-------------------------------	---	--	--	--------------------------------------	--

Specs are a guideline. We are confident in the manufacturing of our product meeting our specs, However we recommend waiting for the rail before drilling holes in case of 1 or 2 mm differences. Specs can be used for rough in and timber supports without issue.