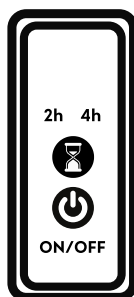
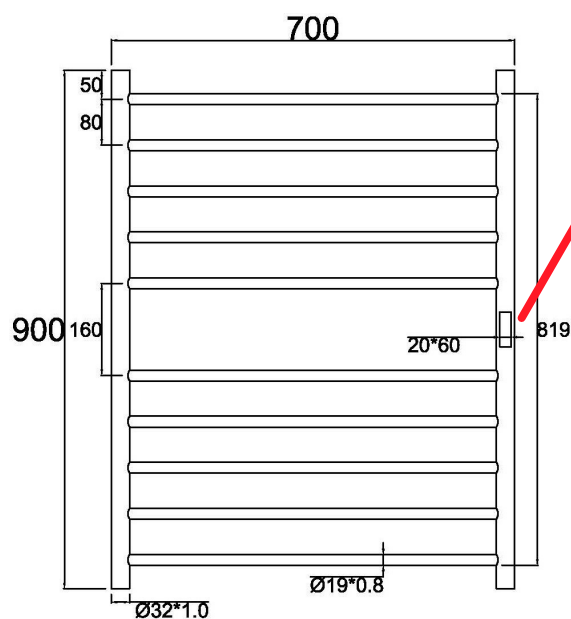


# FLAT R10 SPECIFICATIONS SHEET



**Towel rail timer build in to every towel rail**



**Manufactured to International Standards**

AS/NZ60335.2.43:2018

AS/NZ60335.1

**IP Rating IP55**

**Concealed Wiring Included**

### Wiring

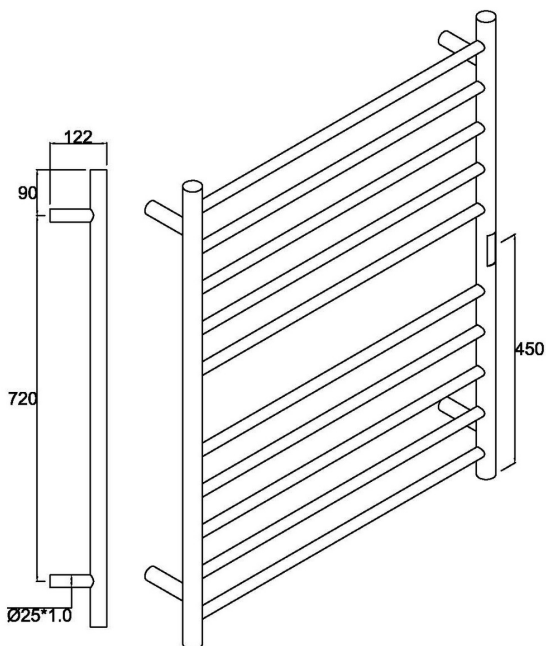
Your Hotwire rail can be installed with the cable coming from either left, right. 1.5 meters of flex is provided as are all the components required for concealed Wiring. A 3 pin plug is also fitted

Supply

230/240 volts a.c. 50HZ

### Finish Options

- Stainless Steel
- Gun Metal Grey
- Gold
- Brushed Nickel
- Matte Black



### Note

All measurements and specifications are subject to change without notice. Exact dimensions for product supplied may vary slightly from specifications provided

## STYLE

Model	Flat R10
Number of Rails	10
Height (mm)	900
Width (mm)	700
Depth (mm)	122
Weight (kg)	4
Watts	130