

Floor Heating & Heated Towel Rails Product Catalogue

— Affordable Heating Luxuries —



HOTWIRE
HEATING

1300 HOTWIRE

hotwireheating.com.au



Hotwire Floor Heating

Hotwire Floor Heating may well be the very ultimate in home heating.

Floor heating radiates warmth from the ground up, heating not just your feet but your entire home. Hotwire is luxury you can afford. An average bathroom system is yours for approximately \$550 RRP and a living room for only \$1900 RRP.

As the heat is evenly spread throughout every room, it's just like standing outside in the first few days of Spring; beautifully warm and thoroughly luxurious.

Hotwire Under Tile Heating

Heating for a room, an open living space, or an entire house.

Under Tile Heating is perfect for the Australian climate. The 4mm thick element is placed directly on top of the sub floor and the flooring simply laid over the top. As the element is so close to the floor surface your home will be warm in 30-60 minutes. * The fully programmable touch screen thermostat can program your floor heating to switch on when you require it, so when you arrive home or get up in the morning your home is luxuriously warm and waiting for you.

Under Tile Heating is ideal if you are renovating as only the floor surface needs to be replaced to facilitate installation. You can cover an area as small as 1m2 through to the biggest living areas.

With running costs as low as 2c per m2 per hour it sells itself.

Hotwire is perfect for a bathroom as the heating will not only heat the floor but also dry the floor meaning less mould and therefore less cleaning.

Contact Hotwire today for a quote or to find your nearest retailer or installer.

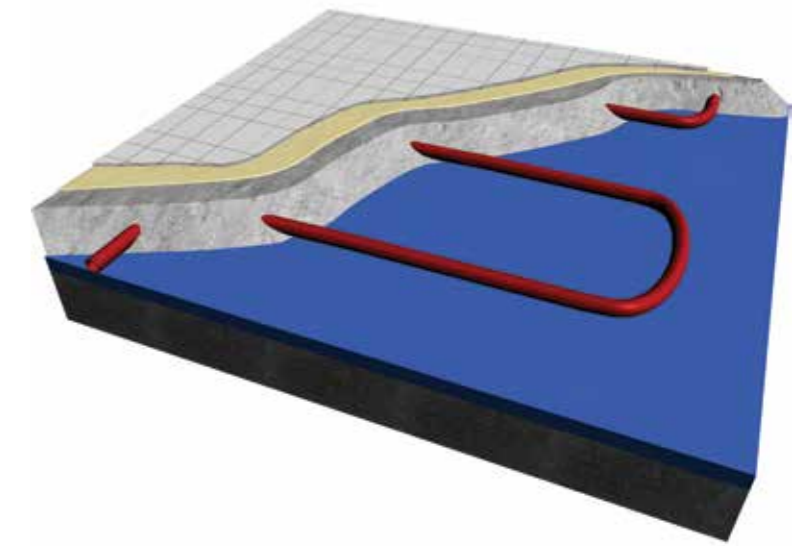
*Home insulation and some environmental factors can affect the heat up time of floor heating systems.



Hotwire In Screed Heating

In Screed Heating is ideal if you are installing a sand and cement screed over a floor surface or planning a polished concrete floor. Whether you are building a new bathroom or an extended living area In Screed Heating is a perfect solution.

The element sits approximately 30mm deep in the screed and spreads an even warmth throughout the entire room. It does take a little longer to heat than Under Tile heating (up to 2 hours) but may be the ideal solution for your project.



Touch Screen Thermostat



Every Hotwire Heating System comes with a fully programmable touch screen thermostat. Simply program it around your lifestyle for luxurious heating whenever you require it.

- Fully programmable
- Multiple daily functions
- Floor or air sensing
- Touch Screen

Just how efficient is Hotwire?

The following chart compares the cost of running Hotwire to the cost of running your average bathroom heat lamp unit.

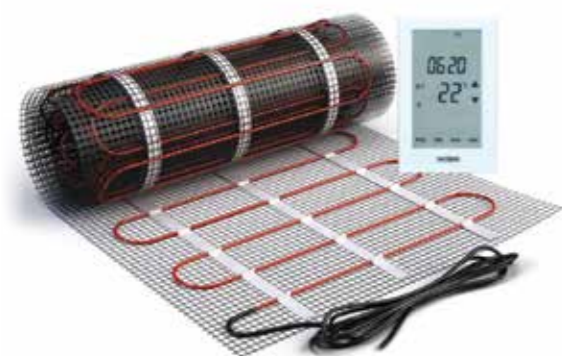
	Hotwire	Heat Lamp
Watts	600	1500
Electricity Cost	\$0.26	\$0.26
Cost over 3hrs	\$0.32	\$1.17
Per Month	\$9.92	\$36.27
Per Year	\$119.04	\$435.24

*The comparisons are based on a 4 bulb Heat Lamp unit at 375 watts per bulb. Hotwire costs based on a 600 watt element heating at full capacity for 1 hour and then cycling at 50% capacity for the next 2 hours. Running costs are an estimate only and will vary due to site conditions.

Hotwire Heating Mat

Hotwire Heating Mats offer all the benefits of Hotwire Under Tile Heating with the added bonus of the element being already fixed to a mesh. This makes installation a breeze as you simply roll out the system across your floor.

As with all Hotwire products the fully programmable thermostat is standard. You just need to choose which colour you want!





Hotwire Easy Fix Towel Rails

Imagine stepping out of your shower on a cold winters morning and being greeted by a toasty warm towel to wrap yourself in.

A beautiful touch of luxury to wipe away those winter chills, at a price you can afford.

Flat Square

THE FLAT SQUARE TOWEL RAIL sets the standard in towel rail design. It features elegant square vertical rails and rectangular horizontal bars. It creates an excellent feature and adds luxury to your bathroom.

All Hotwire Easy Fix Towel Rails can be connected from the Left, the Right or even the middle. Every Rail also includes the parts to fully conceal the wiring.



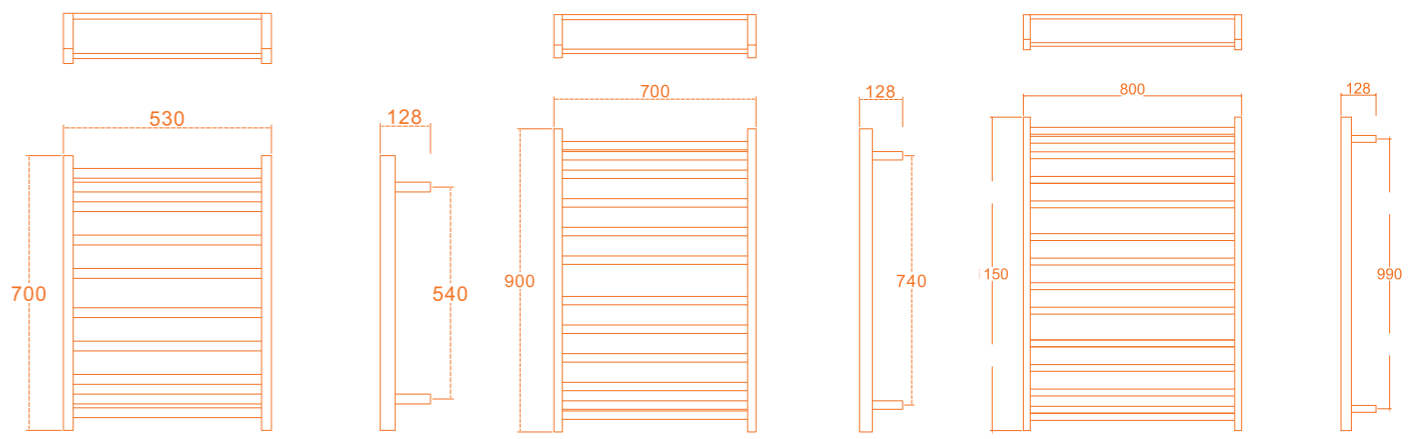
Heated Flat Square Specification

STYLE	
Model	FLAT SQ8
Number of Rails	8
Height (mm)	700
Width (mm)	530
Depth (mm)	122
Weight (kg)	4 kg
Watts	80
Finish	S/Steel Mirror FIN
Concealed Wiring Adaptor	Yes
Running Costs Per Hr approx	2c
Available in Black	No

STYLE	
Model	FLAT SQ10
Number of Rails	10
Height (mm)	900
Width (mm)	700
Depth (mm)	128
Weight (kg)	4.5 kg
Watts	120
Finish	S/Steel Mirror FIN
Concealed Wiring Adaptor	Yes
Running Costs Per Hr approx	3c
Available in Black	No

STYLE	
Model	FLAT SQ12
Number of Rails	12
Height (mm)	1150
Width (mm)	800
Depth (mm)	128
Weight (kg)	5.5 kg
Watts	165
Finish	S/Steel Mirror FIN
Concealed Wiring Adaptor	Yes
Running Costs Per Hr approx	4c
Available in Black	No

Also available as unheated in every size



Curved Round

THE CURVED ROUND TOWEL

is a classic and enduring popular design. Featuring round vertical rails and curved horizontal bars and adds extra elegance to your bathroom.



Flat Round

THE FLAT TOWEL RAIL

is perfect in its simplicity. Another classic featuring round vertical rails and flat round horizontal bars.



Heated Curved Round Specification

STYLE	
Model	CURVE R8
Number of Rails	8
Height (mm)	700
Width (mm)	530
Depth (mm)	140
Weight (kg)	3.25kg
Watts	80
Finish	S/Steel Mirror FIN
Concealed Wiring Adaptor	Yes
Running Costs Per Hr approx	2c
Available in Black	No

STYLE	
Model	CURVE R10
Number of Rails	10
Height (mm)	1000
Width (mm)	600
Depth (mm)	140
Weight (kg)	4.5 kg
Watts	115
Finish	S/Steel Mirror FIN
Concealed Wiring Adaptor	Yes
Running Costs Per Hr approx	3c
Available in Black	No

Rail Design Options

Hotwire Towel Rails are available in a variety of styles to match the decor of your bathroom. Curved, Round, Square, there is even a vertical rail if wall space is at a premium. There is bound to be a model to suit your requirements.



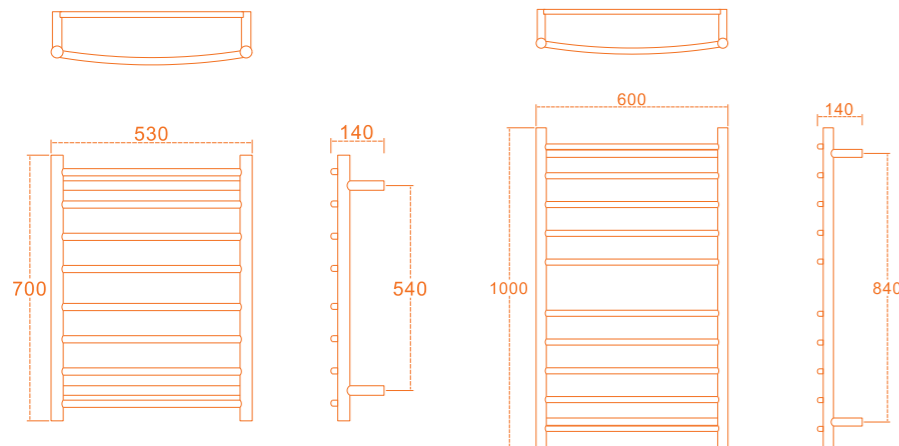
Heated Flat Round Specification

STYLE	
Model	FLAT R8
Number of Rails	8
Height (mm)	700
Width (mm)	530
Depth (mm)	122
Weight (kg)	4 kg
Watts	80
Finish	S/Steel Mirror FIN
Concealed Wiring Adaptor	Yes
Running Costs Per Hr approx	2c
Available in Black	Yes

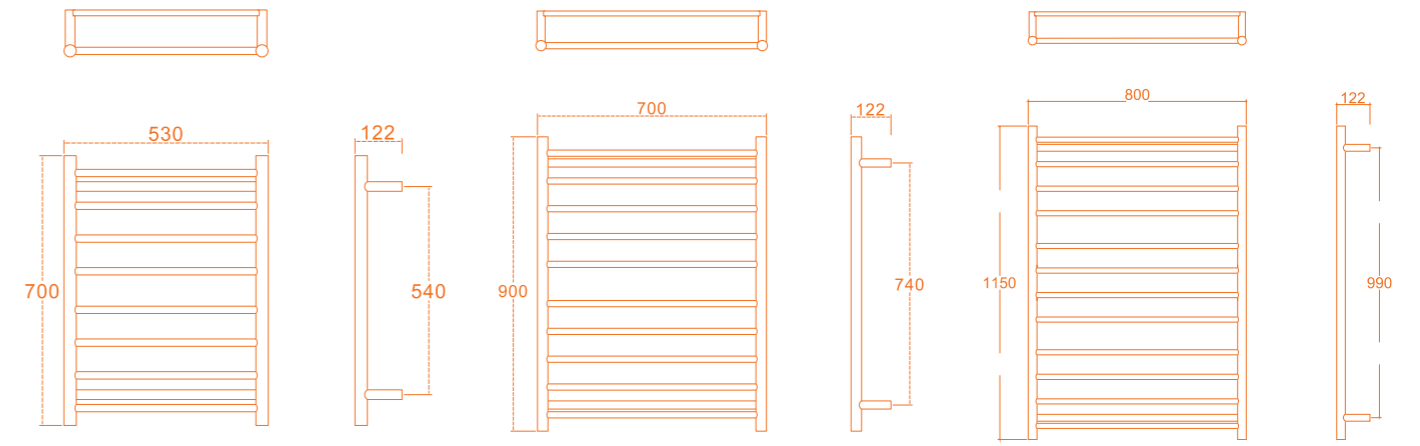
STYLE	
Model	FLAT R10
Number of Rails	10
Height (mm)	900
Width (mm)	700
Depth (mm)	122
Weight (kg)	4.5 kg
Watts	120
Finish	S/Steel Mirror FIN
Concealed Wiring Adaptor	Yes
Running Costs Per Hr approx	3c
Available in Black	Yes

STYLE	
Model	FLAT R12
Number of Rails	12
Height (mm)	1150
Width (mm)	800
Depth (mm)	122
Weight (kg)	5.5 kg
Watts	165
Finish	S/Steel Mirror FIN
Concealed Wiring Adaptor	Yes
Running Costs Per Hr approx	4c
Available in Black	No

Also available as unheated in every size



Also available as unheated in every size



Free Standing

THE FREE STANDING TOWEL RAIL has round vertical and horizontal bars and is ideal if you don't have the wall space for a standard rail.



Vertical 2

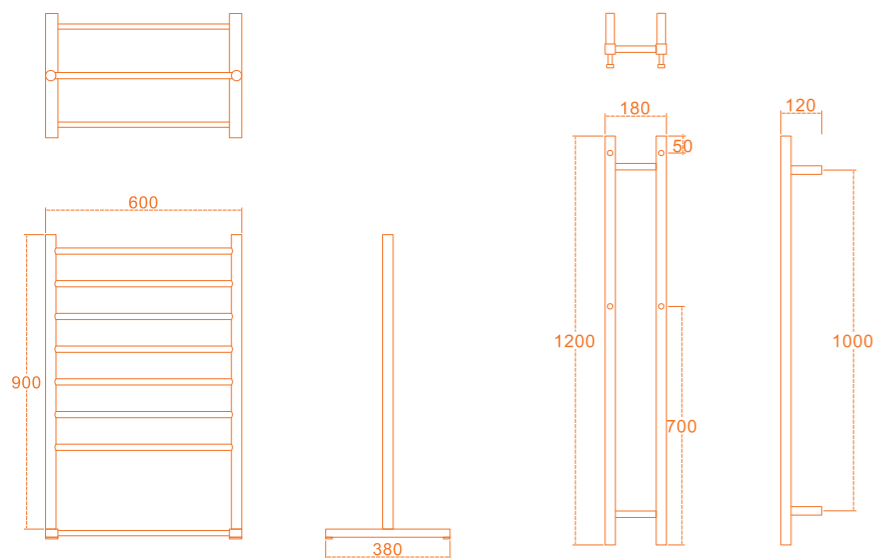
THE VERTICAL RAIL solves space problems in both new and old bathrooms. Ideal where you have limited wall space. The V2 can accommodate up to 4 towels.

Heated Free Standing Specification

STYLE	
Model	FS7
Number of Rails	7
Height (mm)	900
Width (mm)	600
Depth (mm)	NA
Weight (kg)	4 kg
Watts	90
Finish	S/Steel Mirror FIN
Running Costs Per Hr approx	2¢

Heated Vertical Specification

STYLE	
Model	V2
Number of Rails	2
Height (mm)	1200
Width (mm)	180
Depth (mm)	120
Weight (kg)	4 kg
Watts	40
Finish	S/Steel Mirror FIN
Concealed Wiring Adaptor	Yes
Running Costs Per Hr approx	1¢
Available in Black	Yes



* Running costs calculation is based on an electricity tariff of 25¢ per kilowatt. Check with your electricity provider on your current tariff. No responsibility is taken for the correct calculation of running costs.

Easy 3 Step Installation



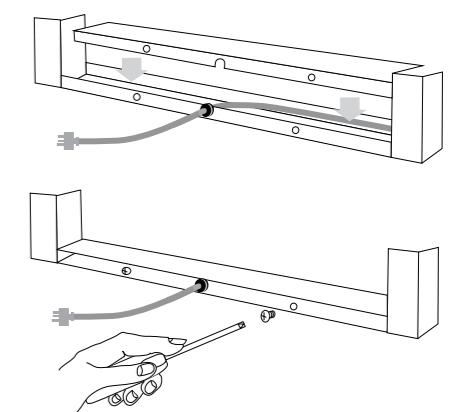
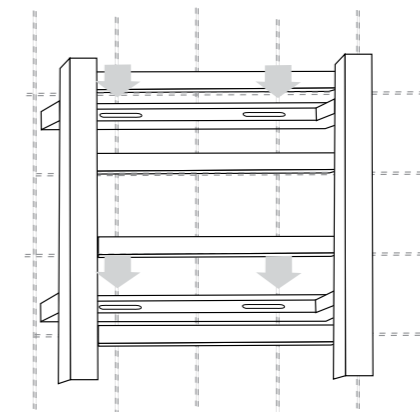
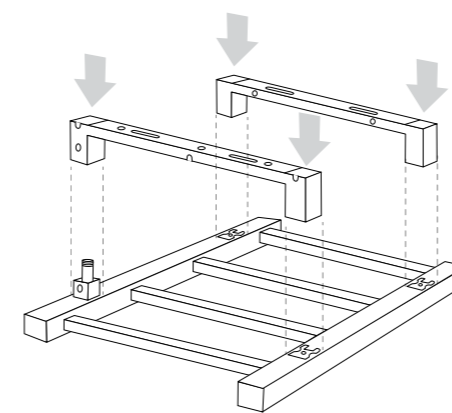
Snap into position the top and lower brackets/legs to the clips of the frame. (Note the lower bracket has the cable exit holes facing downward).



Pre-drill two wall fixing holes for both lower and top brackets and then screw the HTR securely to the wall.



Both back bracket covers have an angle cut on one end that allows the cover to cross over the vertical bar and fit over the back bracket. This cut angle should be positioned last and placed downward. Place back bracket covers over the back brackets and screw tight from underneath.



Quick, Simple, Clean

Hotwire rails are very simple to install. The cable can exit the rail on the left the right or even the middle. All the components to fully conceal the wiring are also included. Hotwire rails also take around 1/3 of the time that a normal rail takes to install.

All Heated Towel Rails Have The Following Standards

Manufactured to International standards

IEC335-1:1991 IEC60335-2-43:1995
AS/NZS3350.1:2002

IP rating

IP34 Splashproof

Wiring

1.5 metres of flex is provided. Components for concealed wiring included.

Finish

All heated rails are 304 grade stainless steel. Except the V2 and FS7 which are 201 grade.

All unheated rails are 201 grade stainless steel.

Supply

230/240 volts a.c. 50 HZ

Warranty

304 Grade Stainless Steel: 5 year replacement.
201 and all unheated models: 2 year replacement.

All measurements and specifications are subject to change without notice. Exact dimensions of product supplied may vary slightly from specifications provided.

HOTWIRE

HEATING

AUSTRALIA

Hotwire Heating
www.hotwireheating.com.au

NEW ZEALAND

The Heating Company
www.theheatingcompany.co.nz

1300 HOTWIRE

hotwireheating.com.au