

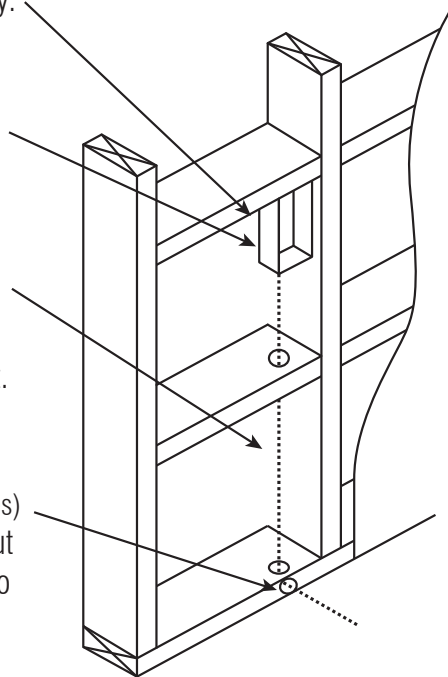
HotWire™ Under Tile Heating Prewire Electrical Instructions

Mount Flush Box Vertically.

Provide power suitable for load of element to flush box. E.g. 800 watts

Insert draw wire from flush box to floor. This will enable you to pull the coldtails to the thermostat.

NSW: (Optional in other states) Install conduit 100 mm out onto floor and 100mm into wall cavity. Run draw wire through conduit



There are three things that need to be completed before Hotwire can be installed. This work is not included in the "Installation Price" of Hotwire.

If this work is not completed before the installer arrives it can significantly delay the installation and incur additional costs.

- 1) Ensure the electrician has installed a vertical flush box for the thermostat.
- 2) There must be power to that flush box capable of handling the load of the Hotwire element. For example, 800 watts.
- 3) A draw wire from the flush box to the floor level.

Flush box must be installed Vertically.

If you have any questions about this information please contact Hotwire or your registered Hotwire Installer.

HOTWIRE
UNDER TILE HEATING

verve DISTRIBUTION

THE HEATING
THC COMPANY Ltd

Australia

Verve Distribution
Po Box 494
6 / 81 Brighton Rd
Glenelg SA 5045

www.vervedistribution.com.au

New Zealand

The Heating Company
PO Box 420
Whitianga NZ

www.hotwire.co.nz